



Marine generator set Quiet Diesel™ Series 22.5 QD Model MDKDT



Features and benefits

- Rugged dependability, high quality and innovation make Cummins Onan the leader in marine generator set design and development.
- The QD (Quiet Diesel) Series models are the first marine generator sets with self-monitoring capability and network communication.
- The optional Cummins Onan Digital Display provides user-friendly diagnostics including extensive engine and alternator information, self-diagnostic features, and text display.
- The Cummins Onan Marine Generators with advanced design and development processes use technology to lower sound and vibration. Our sound shields minimize noise and deliver better sound quality. The optimized mounting system greatly reduces vibration.
- Cummins Onan Marine Generators have the largest worldwide certified distributor/dealer support network in the industry with more than 70 years of experience.

Models and ratings

Model	kW/kVA	Voltage	Amps	Phase	Hz	Engine RPM
22.5MDKDT	22.5/22.5	110/220	205/102	1	50	1500
		115/230	196/97.8	1	50	1500
		120/240	188/93.8	1	50	1500
	22.5/28.1	220/380	42.7	3	50	1500

Other single and three phase configurations are available, contact your distributor/dealer for more information.
Rating conditions are 100 kPa (29.6 in Hg) barometric pressure, 30% relative humidity and 25° C (77° F) (ref. ISO 3046).

Weight and size

	Dimensions			
	Weight (dry) kg (lbs)	Length mm (in)	Width mm (in)	Height mm (in)
With sound shield	601 (1325)	1358 (53.5)	622 (24.5)	761 (30.0)
Without sound shield	565 (1245)	1358 (53.5)	622 (24.5)	731 (28.8)

Standard features

- Advanced digital electronic control providing extensive diagnostic capability
- Shutdown with diagnostic indicator light for: high engine coolant temperature, high exhaust temperature, low oil pressure, over speed/voltage, starter overcrank, no raw water flow, additional customer input and many more
- Start-run-stop switch with glow plug preheat and fuel pump priming modes for easy starting; run light and diagnostic indicator light
- Start function has automatic glow plug preheat providing better, cleaner starting
- Engine starter with automatic start disconnect
- Electronic governor allows the generator set to maintain isochronous frequency control and close voltage regulation to provide quality power for digital appliances and computers
- Single phase AC alternator with single or dual voltages, brushless
- Digital voltage regulator integral with control
- 12 V DC electric system with battery charging, negative ground
- Electric fuel transfer pump for priming and lift capability
- DC control console mounted with isolation and DC protective circuit breakers
- Freshwater cooling system with heat exchanger, expansion tank and coolant recovery system
- Water cooled exhaust mixing elbow
- Gear-driven raw water pump
- AC mainline circuit breaker
- Running time meter
- Air intake silencer
- Captive focalized mounting systems with vibration isolators
- Full flow lube oil filter
- Oil drain and hose extension
- Electric fuel shut-off via electronic governing actuator
- Fuel filter
- Drip pan base capable of containing all generator set fluids
- Bulk head type connections for ease of installation include fuel in, fuel out, battery, raw water inlet, wet exhaust, generator set ground (vessel bond)
- Single point lifting bracket for ease of installation
- Plug-in watertight connector for optional remote control
- Closed crankcase breather re-circulation to eliminate engine room contamination
- Coolant overflow bottle to easily maintain coolant level
- Fire extinguisher access port
- Factory load tested
- Five year limited warranty

Engine details

Design: 4-cycle, water-cooled diesel

Cylinders: 4

Bore: 98 mm (3.86 in)

Stroke: 110 mm (4.33 in)

Displacement: 3318 cm³ (202.48 in³)

Compression ratio: 22.5:1

Lube oil capacity: 11.4 L (11 qt)

Coolant capacity: 13.7 L (14.5 qt)

Coolant flow rate: 50 Hz: 43.5 L/min (11.5 Gal/min)

Raw water flow rate: 50 Hz: 49.2 L/min (13.0 Gal/min)

Starting system: Remote 3-wire, 12 V starting battery required, 95 Ah, 625 CCA; 24 V optional

Power (max): SAEJ1349

50 Hz at 1500 RPM 32.9 kW (44.7 hp)

Fuel injection pump: Denso ND-PFR4M mini

Combustion Chamber: Spherical, three vortex combustion system

Max Raw Water Lift: 1.22 m (4 ft)

Typical fuel consumption

No. 2 diesel fuel, L/hr (Gal/hr)	No load	1/4 load	1/2 load	3/4 load	Full load
22.5 MDKDT-50 Hz	1.9 (0.5)	3.0 (0.8)	4.0 (1.1)	5.2 (1.4)	7.0 (1.8)

Alternator details

Design: Cummins Onan brushless, revolving field, 4-pole alternator, rigidly coupled to engine and permanently aligned

Voltage Regulator: Solid state, circuit board encapsulated for corrosion protection

Exciter system: Brushless with 8-pole stator mounted in endbell; rotating rectifier assemblies are encapsulated for protection from adverse environments

Stator: Skewed stator and 2/3 pitch windings minimize field heating and voltage harmonics; resin-coated for corrosion protection

Rotor: Dynamically balanced assembly; direct-coupled to engine by flexible drive discs; supported by pre-lubricated, maintenance-free ball bearings

Cooling: Direct drive centrifugal blower

Insulation system: Class H per NEMA MG1-1 -1.65 and BS 5000

Generator set performance

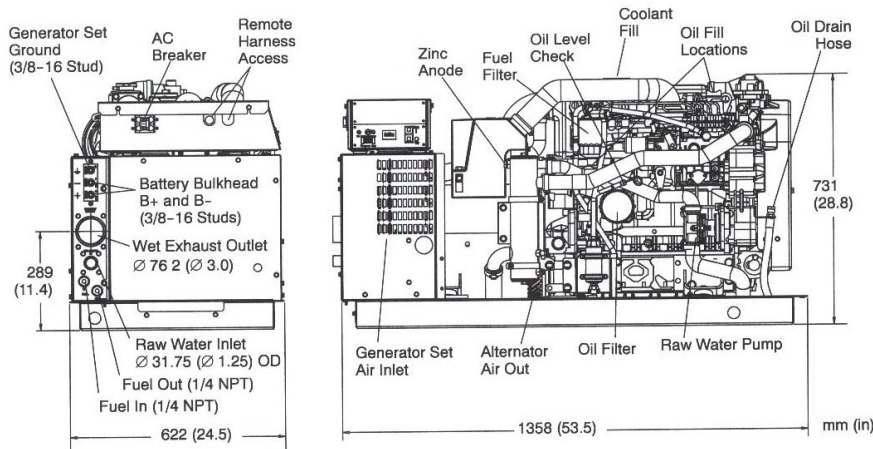
Operating environment: Generator sets are durability tested at maximum ambient air temperature: 50° C (122° F) and raw water temperature: 37.8° C (100° F)

Frequency regulation: Isochronous

Steady-state frequency band: Less than 1% per ISO 8528-5

Steady-state voltage deviation: Less than +/-1% per ISO 8528-5

Basic dimensions



Note: This outline drawing is provided for general reference only and is not intended for design or installation. For more information see Operation and Installation manuals or obtain drawing 500-4307 and wiring diagram from your distributor/dealer.

Options

- Cummins Onan Digital Display - graphical LCD set-mounted display for generator set operating parameters, diagnostics, and pre-alarm indication in text format
- NMEA2000, SAE J-1939 and SmartCraft 1.0 data links available for monitoring generator.
- Low coolant level shutdown
- Keel cooling
- 3 phase, 125 °C broad range alternator with a variety of voltages
- 12 V DC electric system with battery charging, isolated DC
- 24 V DC electric system with battery charging, isolated DC
- Dry exhaust system, (up orientation)
- Sound shield housing
- 24 V DC electric system with battery charging, negative ground
- Front power take-off (PTO) for up to 40 hp output with clutch, flexible coupling and SAE B flange pump mounting for 2 and 4 bolt mounting; (12 or 24 V DC clutch)
- Engine end interface connections
- Engine end wet exhaust outlet
- Remote shutdown harness for fire extinguisher connection



Standard model without sound shield and with Cummins Onan Digital Display shown

Accessories

- Cummins Onan Digital Display - graphical LCD remote display for generator sets operating parameters, diagnostics, and pre-alarm indication in text format
- Basic remote panel with start/stop switch with run (green) and control status (amber) lamps
- Remote start/stop switch with dual lamps and mating harness only for panel installation
- 12 or 24 volt isolated ground conversion kit, no battery charging
- Y adapter harness for dual remote stations
- Remote station harness pigtail
- Remote panel wire harness - 15 ft, 25 ft, 45 ft, 75 ft, 100 ft or 150 ft
- Line circuit breakers for field conversion of frequency or AC voltage output
- Remote fuel filter/water separator assembly
- Fuel supply and return hose barb connectors
- Siphon break kit



Cummins Onan Digital Display

- Battery
- Bulk head battery terminal boots
- Low coolant level safety shut-off switch
- Front or rear exhaust outlet kit
- Dry exhaust conversion
- Marine mufflers and water separator
- Front power take-off (PTO) for full engine output with clutch, flexible coupling and SAE B flange pump mounting for 2 and 4 bolt mounting (12 or 24 VDC clutch); additional sound shield front panel or belt guard is required
- Sound shield housing
- Cruise kit - maintenance parts - fuel filters, oil filters, raw water pump impellers, zinc pencils, alternator belt and plastic container
- Keel cooling conversion for wet or dry exhaust
- Anti-condensation resistance heater, 120 V or 240 V, 100W
- Dry exhaust flange (ASME B16.5, NPS 2, Class 150)



Cummins Onan Cruise Kit

Standards and testing

National Marine Manufacturers Association (NMMA) members produce every conceivable product used by recreational boaters. NMMA provides a wide variety of programs and services including technical expertise, standards monitoring, government relations advocacy and industry statistics.

The American Boat and Yacht Council (ABYC) develops standards and recommended practices for designing, constructing, equipping and maintaining small pleasure and commercial craft.

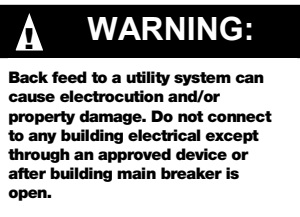
This generator set was designed and manufactured in facilities certified to ISO 9001.

Lloyd's Register states that Cummins Onan Marine Generators have been successfully tested in accordance with the relevant requirements of the Lloyd's Register Type Approval System for Marine, offshore and industrial applications.



Warranty policy

The Cummins Onan express, written limited warranty covers virtually everything except routine maintenance for the first two years you own your marine generator set, and covers parts and labor on major power train and generator set parts during the third through fifth years.



After sale support

Largest distributor/dealer support network

Cummins Onan generator sets are supported by the largest and best trained worldwide certified distributor/dealer network in the industry. This network of knowledgeable Cummins Onan distributor/dealers will help you select and install the right generator set and accessories to meet the requirements of your specific application. This same network offers a complete selection of commonly used generator set maintenance parts, accessories and products plus manuals and specification sheets. Plus, they can answer your questions regarding proper operation, maintenance schedules and more.

Manuals: Operation and installation manuals ship with the generator set. To obtain additional copies or other manuals for this model, see your Cummins Onan distributor/dealer and request the following manual numbers: Installation (A046J598), Operation (A046J600), Service (A046J602), Parts (A046J604).

To easily locate the nearest Cummins Onan distributor/dealer in your area, or for more information, contact us at 1-800-888-6626 (or 763-574-5000), or visit www.cumminsonan.com.



ELECTRICAL, MECHANICAL & ENGINEERING
DESIGN ★ MAINTENANCE ★ INSTALLATION ★ SALES

20 Egmont Road Henderson WA 6166
Phone: +61 08 9410 5000 Fax: +61 08 9410 5050
Email: admin@cullys.com.au Website: www.cullys.com.au
ABN: 30 060 708 590 ECN: 000570

Contact your distributor/dealer for more information.

Cummins Onan

Cummins Power Generation

1400 73rd Ave. NE
Minneapolis, MN 55432 USA
Phone 1 763 574 5000
Toll-free 1 800 888 6626
Fax 1 763 574 5298
Email ask.powergen@cummins.com

Performance you rely on.™

©2014 Cummins Power Generation Inc. All rights reserved.

Cummins®, Onan®, the "C" logo, Performance you rely on.™ and Quiet Diesel™ are servicemarks, trademarks and/or registered trademarks of Cummins Inc. Other company, product, or service names may be trademarks or service marks of others.

Specifications are subject to change without notice.

NAS-5900a-EN (2/14)



power.cummins.com